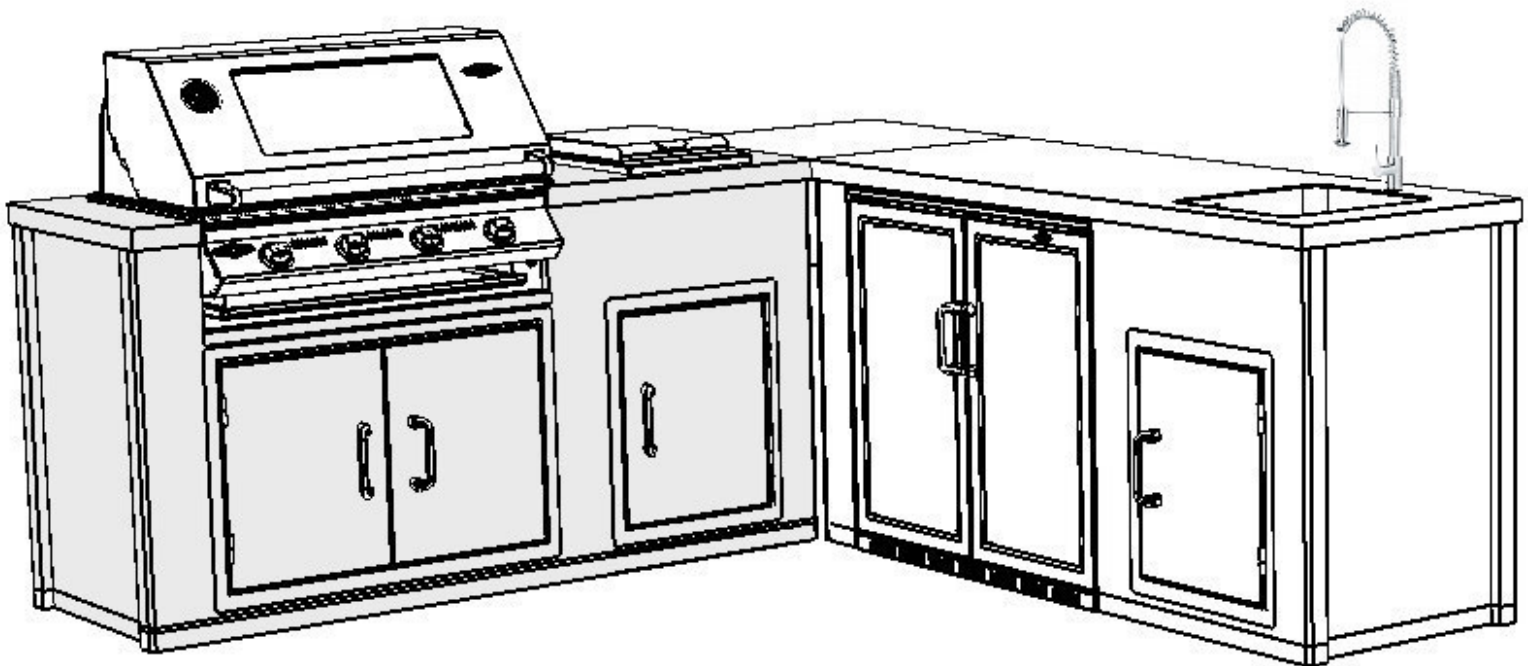


BeefEater

Free-Standing Outdoor Kitchen Barbecue Cabinets Assembly Procedure



Part No.: 77440
77450

For outdoor use only!



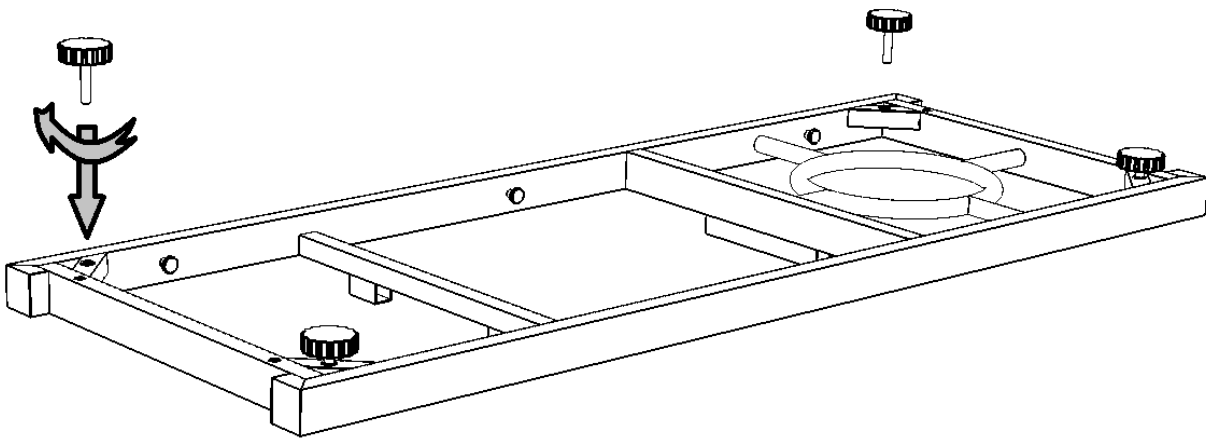
To assemble each of the cabinets follow these steps:

Tip: it is best to assemble these cabinets as close as possible to where they will be used.

ASSEMBLY:

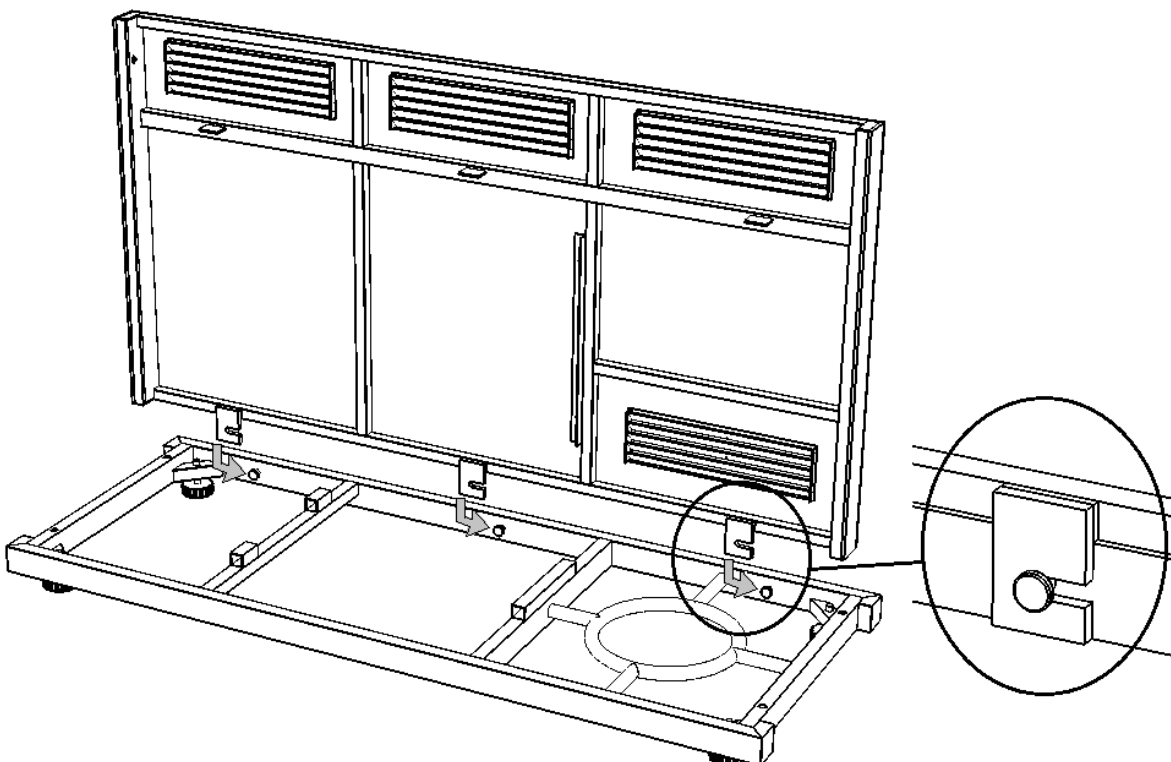
Step 1:

Lay the Base Frame of the cabinet on the ground upside down, and screw the 4 legs to place. Screw each leg all the way in, then Turn base back to normal position with the legs down.



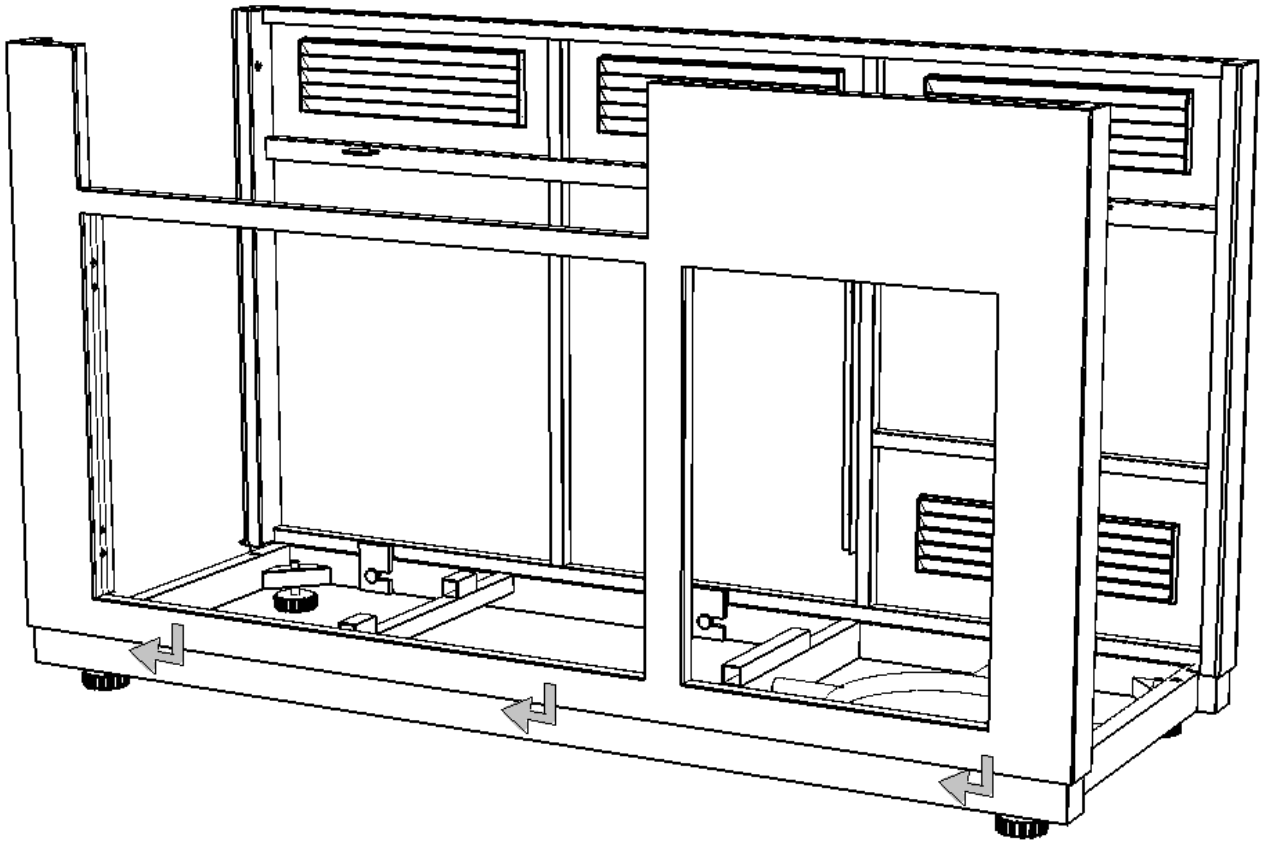
Step 2:

Position the Back panel in over the Base panel, and lock to place by engaging into the hooks sideways:



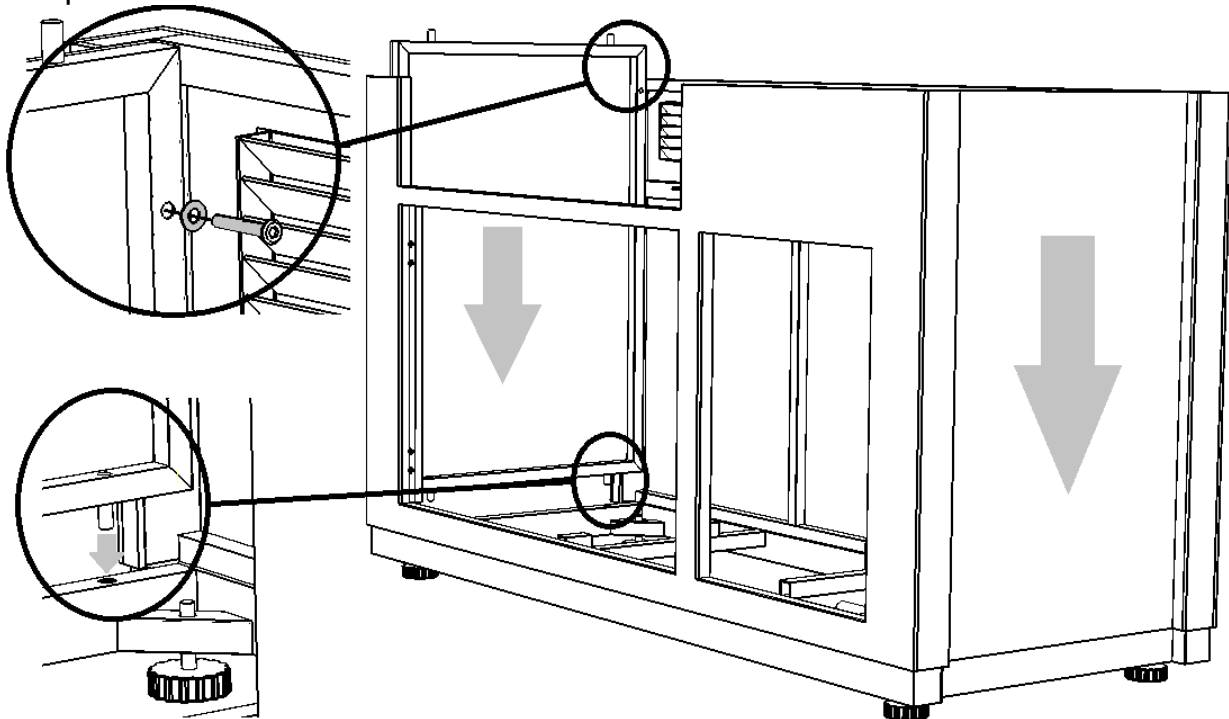
Step 3:

In a similar manner to Step 2, position the Front panel on the Base, and lock to place:



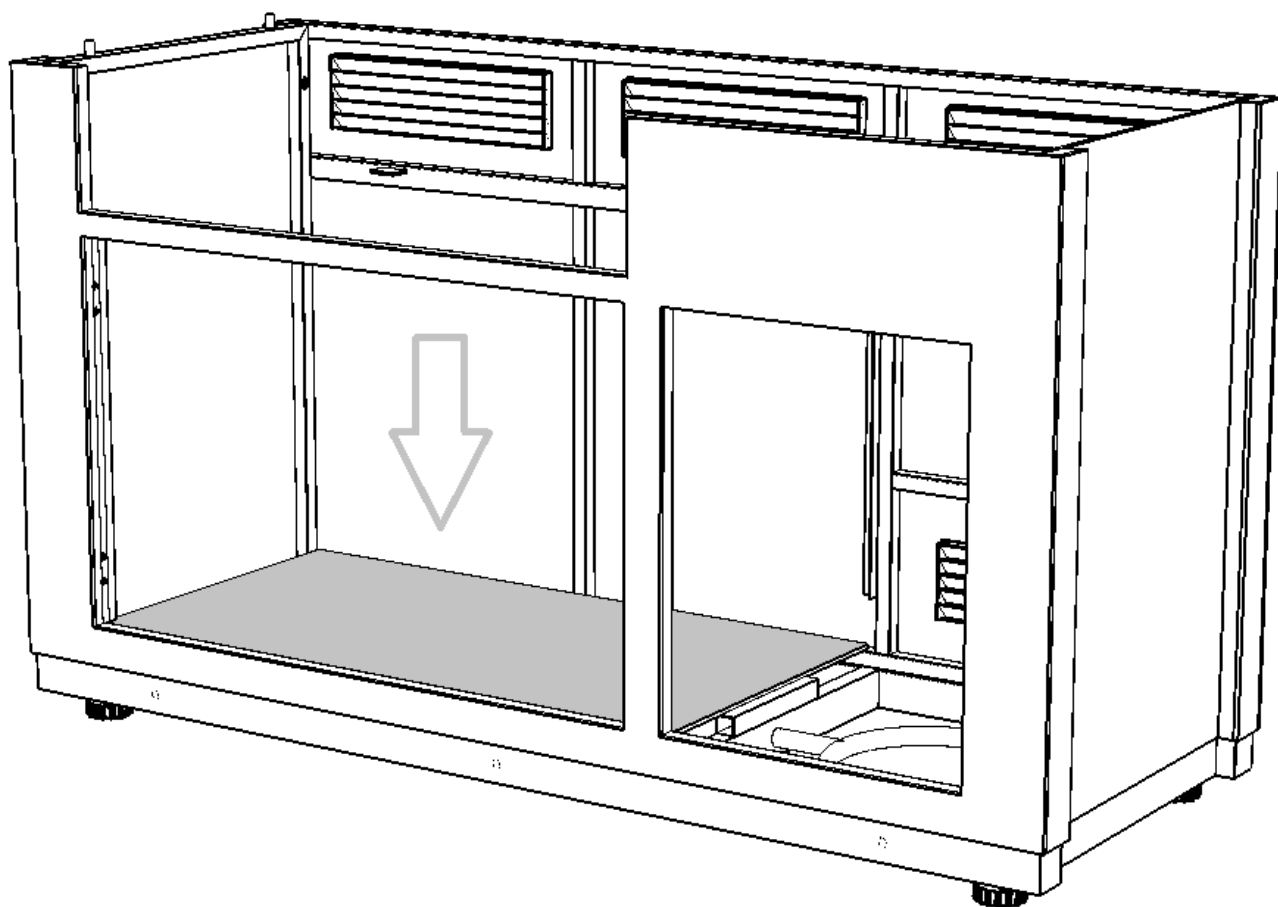
Step 4:

Lower the two Side Panels in between the Front and Back panels on the inside. Engage the two pins on the bottom, and lock to place with 2 screws on the top for each panel



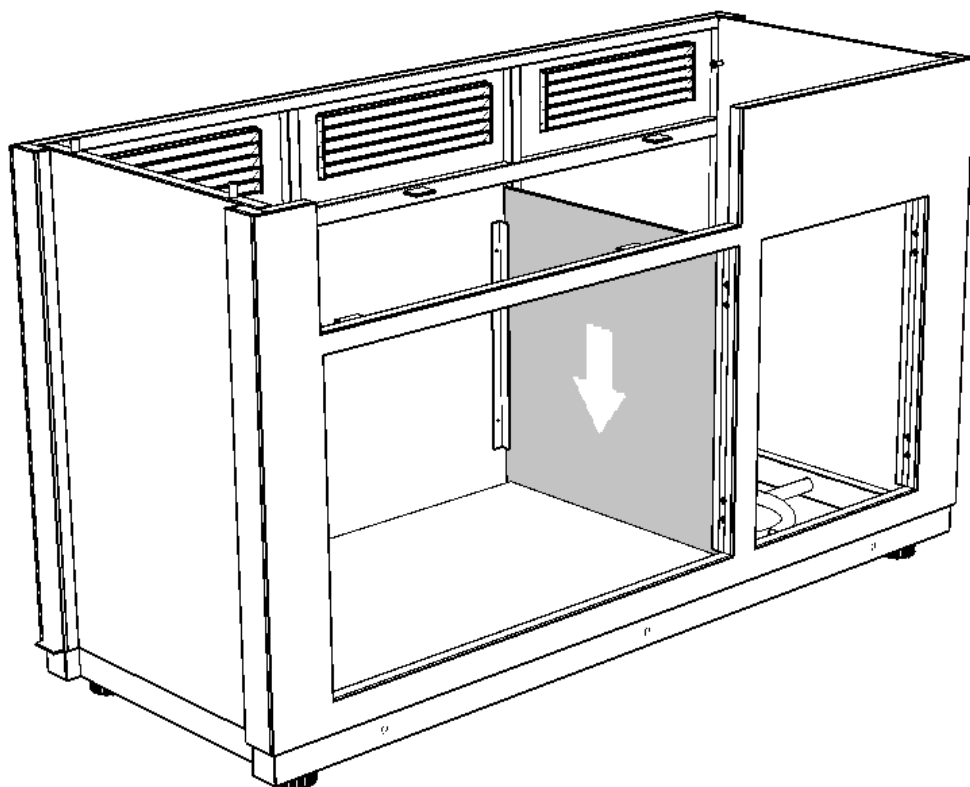
Step 5:

Put the bottom panel onto the base of the cabinet:



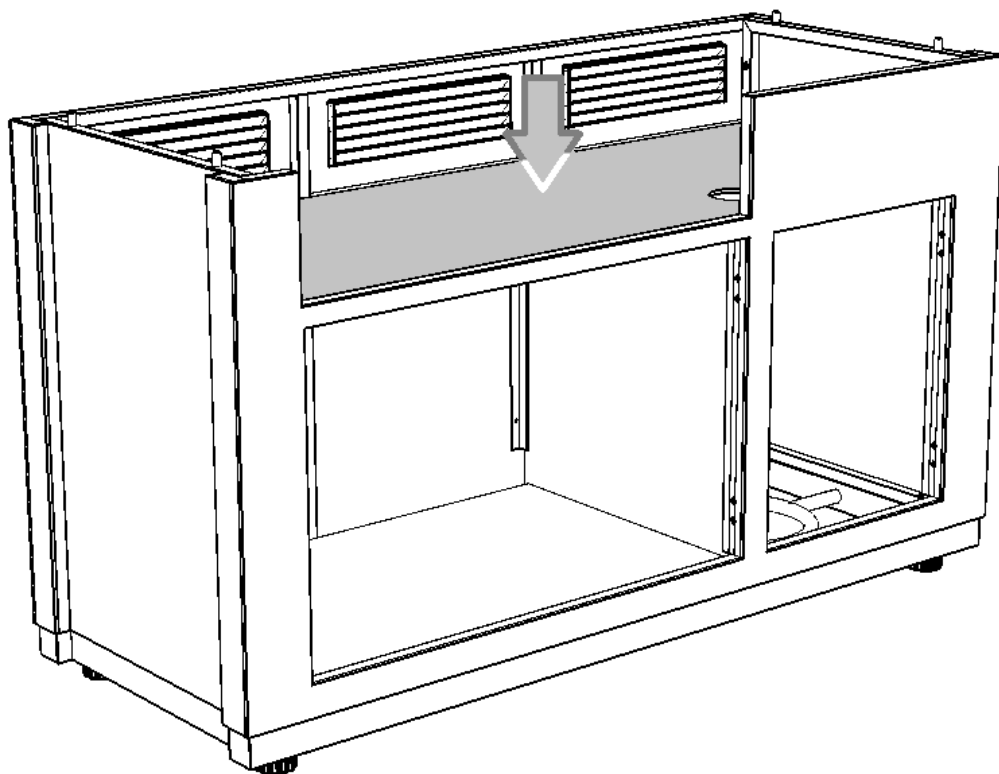
Step 6:

Insert the Divider Panel:



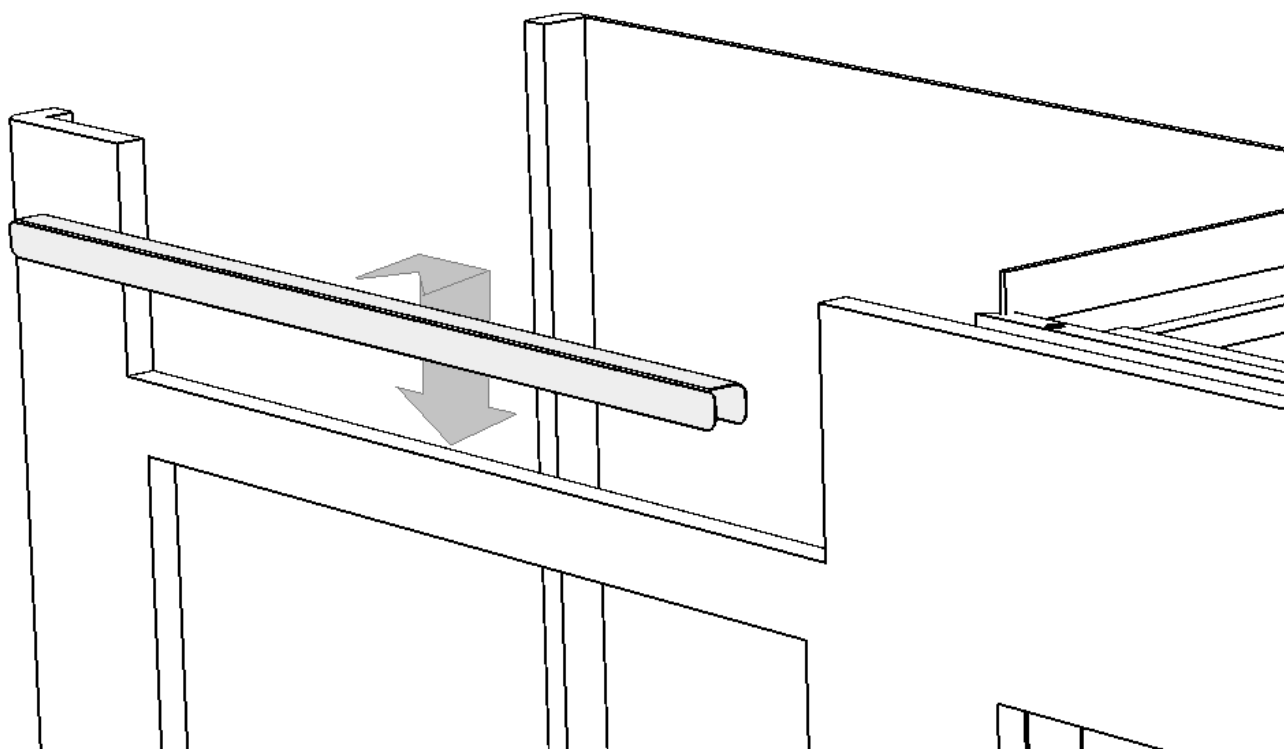
Step 7:

Place the top covering panel over the divider
(note the position of the hole for the Hose):



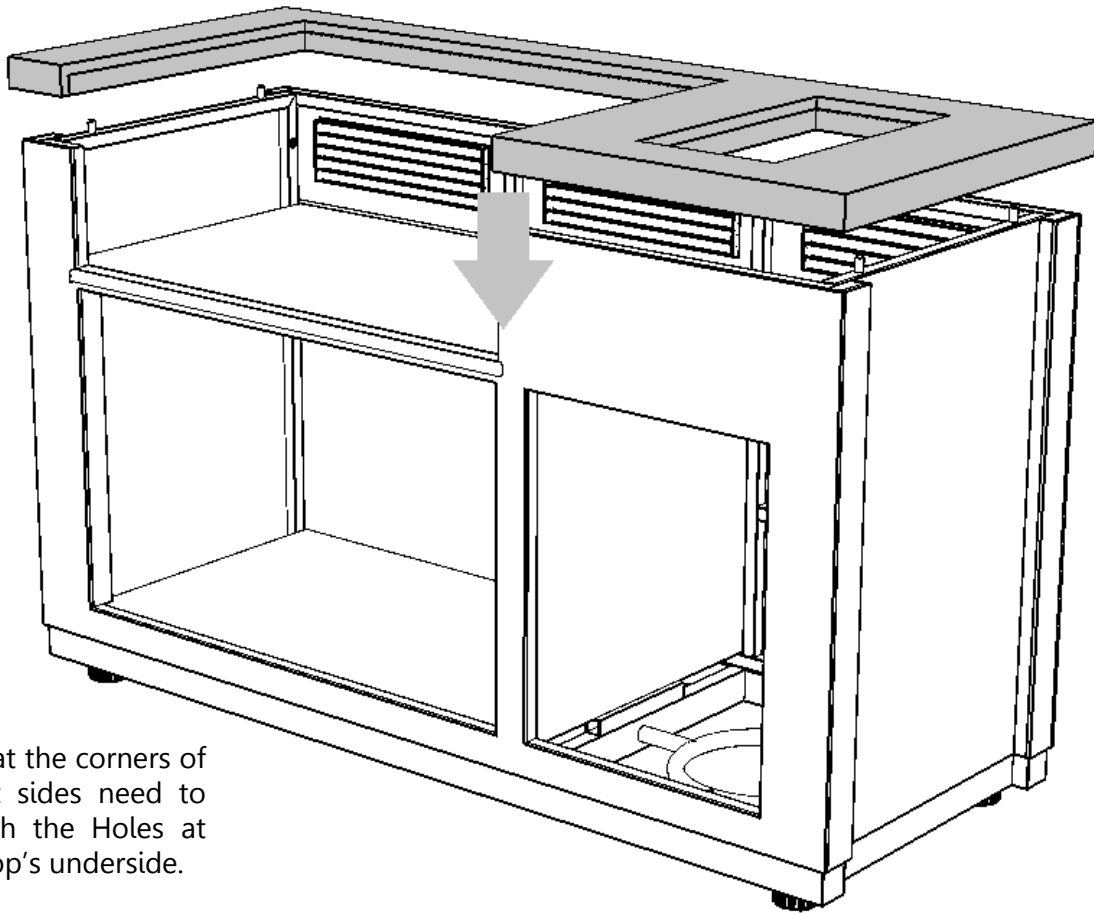
Step 8:

Place the Stainless Steel trim on the front bottom of the Barbecue cutout:



Step 9:

Carefully place the BenchTop in position



Note:

The 4 pins at the corners of the cabinet sides need to engage with the Holes at the benchtop's underside.

Step 10:

Assemble the doors.

The frame of each door fits the opening in the cabinet, and is secured to place with the fasteners supplied.

You may also follow the instructions supplied with the doors.

Step 11:

For the installation of the Barbecue and the Side-Burner, please refer to the instruction books supplied with these appliances.



NOTE: When considering the position of your Outdoor Kitchen, ensure that a Fridge (if installed) is never exposed to direct sunlight.

CARE AND MAINTENANCE

The BeefEater Outdoor Kitchen is made out of durable and sturdy materials, and designed to withstand the wrath of time, however keeping it away from the elements, and only cleaning with mild detergents warm water, and soft-bristle brush, will extend its life, and help in keeping it looking better for longer.

The granite benchtop can be cleaned with warm soapy water, using mild detergent, and no caustic or abrasive materials.

Side panels are only to be lightly sprayed with warm soapy water, and rinse with gentle spray of clean water. Do not wipe, rub, scrape, or otherwise scratch the panels.

WARRANTY:

Our goods come with guarantees that cannot be excluded under the Australian Consumer Law. You are entitled to a replacement or refund for a major failure and for compensation for any other reasonably foreseeable loss or damage. You are also entitled to have the goods repaired or replaced if the goods fail to be of acceptable quality and the failure does not amount to a major failure. Should any part fail due to defective workmanship or faulty materials within the specified period from the date of purchase, BeefEater or its distributor will repair or, (at distributors option), replace the defective part free of charge.

Warranty Administration

In Australia, warranty is administered by Woodland Home Products.

To ensure speedy processing of your warranty service claim, ensure that you record all specific details about your BeefEater Outdoor Kitchen (ODK) in the space provided. Keep this information handy for future reference, and a copy of your purchase receipt.

Not Covered

Storage

Exposure of the BeefEater ODK to the elements should be minimised. Once the barbecue has cooled and is cleaned, it is recommended to keep the unit under cover.

This warranty does not cover the purchaser or any other person for damage, malfunction or loss due to the following:

- Lack of maintenance, abuse, neglect, misuse, accident or improper installation of this product.
- Scratches, dents, corrosion or discolouring caused by heat, abrasive or chemical cleaners or chipping of porcelain or painted parts.
- Corrosion or damage caused by exposure to the elements, grease fires, insects, weather or hail.
- Cleaning and normal wear and tear. Service calls of this nature are chargeable.
- Rusting of any metal parts and accessories.
- Commercial use of the unit.
- Unauthorised repairs during the warranty period
- Removal or re-installation costs.
- Cracks and weathering of natural stone parts caused by exposure to the elements or damage by weather, heat, insects, chemicals or foods acids or juices.

Note: Barbecues must be covered when not in use.

Note: Any staining should be removed in accordance to details in this manual, and the surface cleaned with suitable cleaning materials.

Conditions of Warranty

1. The BeefEater ODK cabinet is delivered to the BeefEater distributor's service department or authorised service agent and freight charges both ways are paid by the owner. No liability is accepted for loss or damage during transit.
2. The ODK is installed, operated and maintained in accordance with the instructions supplied.
3. Repairs or service must be carried out by an authorised person. Installation must be in line with instructions as set out in this book.
4. No alterations or repairs have been carried out without obtaining the distributors prior consent. Such repair or any replacement does not extend the warranty period.
5. Proof of purchase must be provided to verify purchase date and establish the warranty period.
6. Only the original purchaser is covered under this warranty.
7. The warranty period is calculated from the date of purchase only.
8. Where this warranty is inconsistent with any state laws, the statutory rights of the purchaser shall prevail.
9. Parts installed from other manufacturers' products will void this warranty.

Warranty Term*

All parts and workmanship of this BeefEater Outdoor Kitchen are covered for a period of 3 year from date of purchase.

* Warranty term for Barbecue, Fridge and/or other accessories that may comprise part of this Outdoor Kitchen is as detailed in material specific to these items, and as accompanies the individual parts.

TECHNICAL INFORMATION



Note: Do not modify the BeefEater Outdoor Kitchen. Any deviation from factory structure could result in dangerous situations, and cause the voiding your warranty.

Dimensions [mm]	Width (Cabinet only)	Height (Cabinet only)	Depth (Cabinet only)	Weight [Cabinet only]
#4 Barbecue Cabinet	1700	900	600	90 kg
#5 Barbecue Cabinet	1700	900	600	78 kg

SERVICE ASSISTANCE:

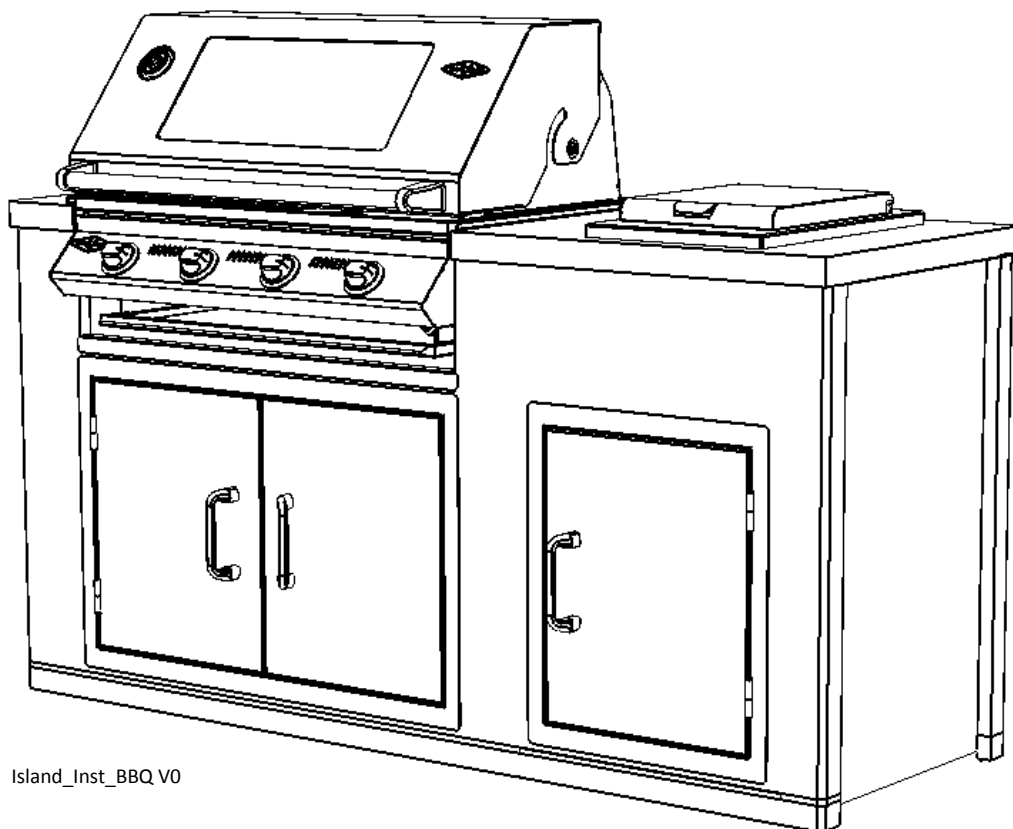
To assist you when contacting your after-sales service agent and to arrange for service, please complete the following details and have them ready when you call. You do not need to register your warranty. However, you must retain your receipt or proof of purchase. When claiming warranty for this product you must provide a copy of your proof of purchase receipt. No claims for warranty will be accepted without proof of purchase.

Model: _____

Serial number: _____

Retailer purchased from: _____

Date of purchase: _____



Island_Inst_BBQ V0

DISCLAIMER

Due to the special, individual coating process of this Outdoor Kitchen unit, some small variations in colour may be apparent. This is perfectly normal, and is part of this product's unique appearance. Slight colour variations are, thus, not covered by warranty!

Woodland Home Products

3-5 Birmingham Av, Chester Hill, NSW, Australia, 2162

Phone: 1800 356 660

Facsimile: 02 9724 8899

E-mail: mail@beefeaterbbq.com

Website: www.beefeaterbbq.com

USA TollFree: 1866 550 2333

Images in this manual are for illustrative purposes only. Due to constant improvement, BeefEater advises that changes to the design, material, specifications and product configuration may occur at any time without notice.